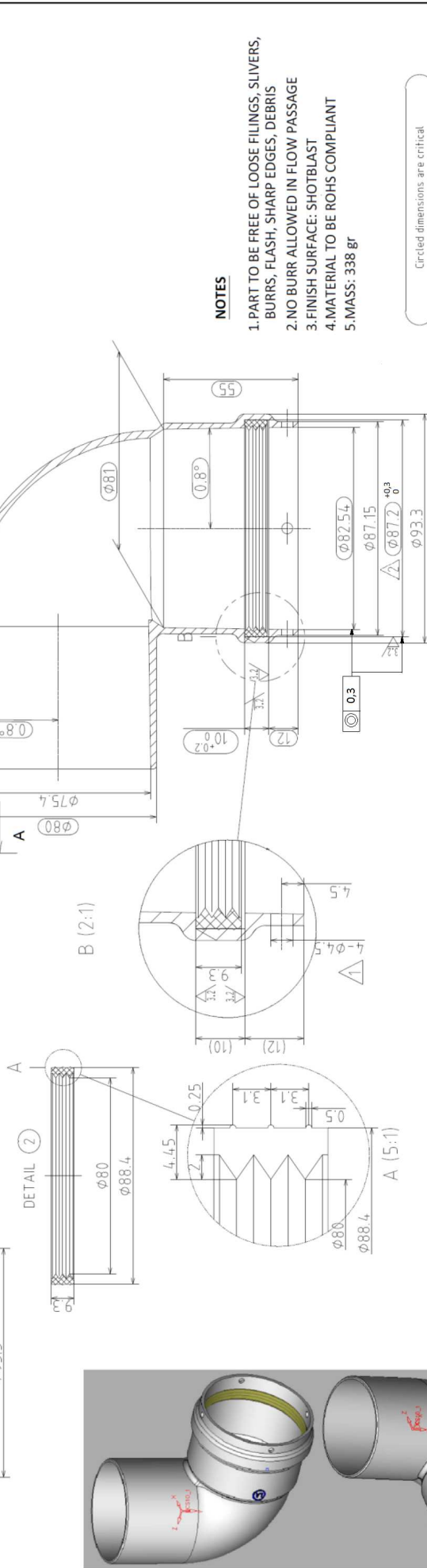
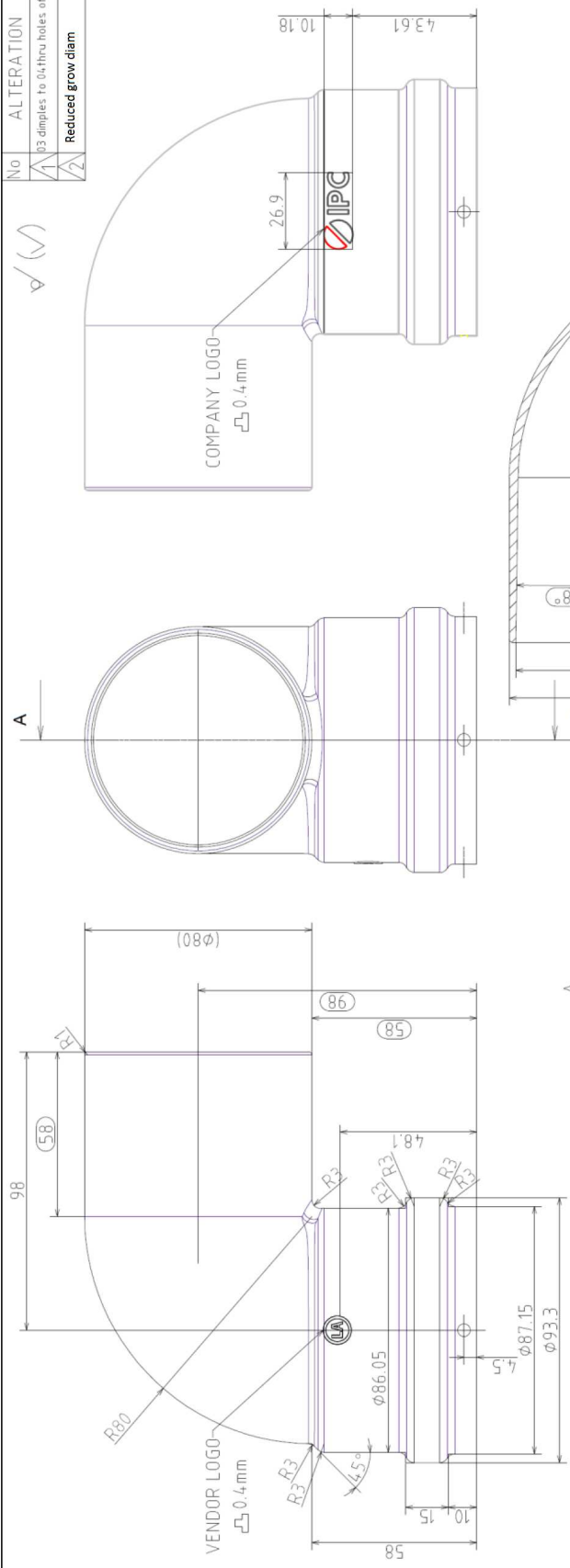


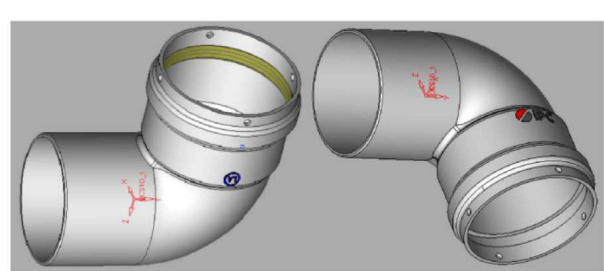
No	ALTERATION	DATE	CHECK	REMARK
1	03 dimples to 0.4 thru holes of $\phi 4.5$	6/16/2018	Tan	
2	Reduced grow diam	11/13/2018	BF	



NOTES

- PART TO BE FREE OF LOOSE FILINGS, SLIVERS, BURRS, FLASH, SHARP EDGES, DEBRIS
- NO BURR ALLOWED IN FLOW PASSAGE
- FINISH SURFACE: SHOTBLAST
- MATERIAL TO BE ROHS COMPLIANT
- MASS: 338 gr

Circled dimensions are critical



GENERAL TOLERANCE		DIMENSIONAL TOLERANCES FOR ALUMINUM			
SIZE	TOLERANCE	GENERAL DIMENSION	INSIDE DIMENSION	OUTSIDE DIMENSION	ANGLE
1	±0.10	0-25	0-30	0-30	±1°
2	±0.15	25-50	30-60	30-60	±1° 55'
3	±0.20	50-100	60-120	60-120	±2°
4	±0.30	100-200	120-250	120-250	±3°
5	±0.40	200-500	250-500	250-500	±4°
6	±0.50	500-1000	500-1000	500-1000	±5°
7	±0.60	1000-2000	1000-2000	1000-2000	±6°
8	±0.70	2000-5000	2000-5000	2000-5000	±7°
9	±0.80	5000-10000	5000-10000	5000-10000	±8°

PART NO.	DMG NO.	MOLDNAME	REMARK
EBV1800001			
PART NAME	QTY	MATERIAL	ADCT2
Elbow_Lung	01	Silicon	
PART NO.	PART NAME	QTY	MATERIAL
1	Elbow_Lung	01	Silicon
2	O-RING	01	
PART NO.	PART NAME	QTY	MATERIAL
ADDRESS	IPC Via Piacenza, 40 - 38033 Gosseno (TN) - Italy		

PART NO.	ADCT2	MATERIAL	REMARK
01 SET			
CUSTOMER	IPC		
DATE	06/16/2018		
SCALE	PROJECTION/APPROVED	CHECKED	REGRAND
Tan	tan	tan	tan